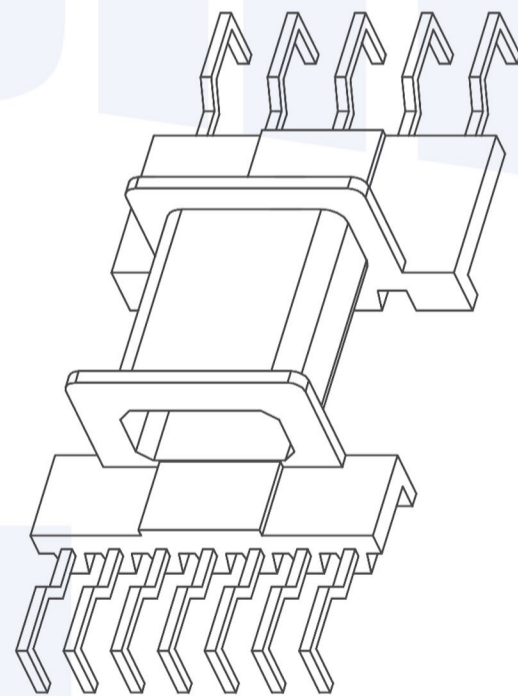
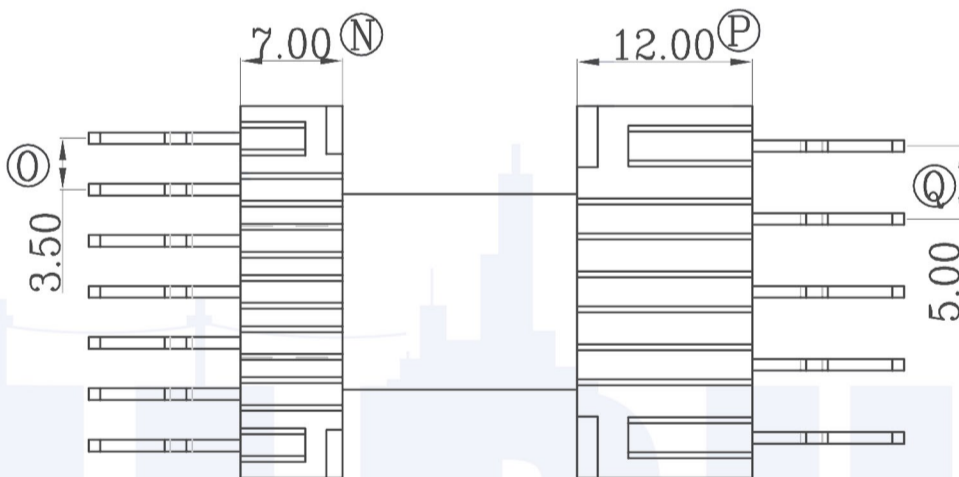
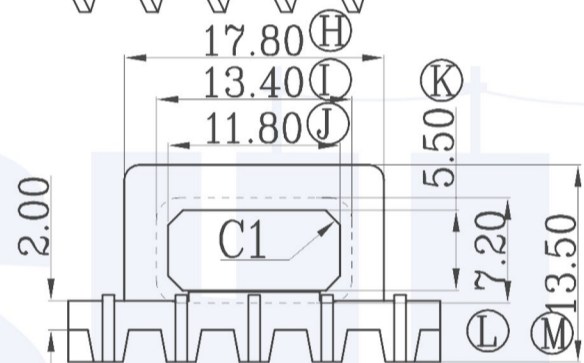
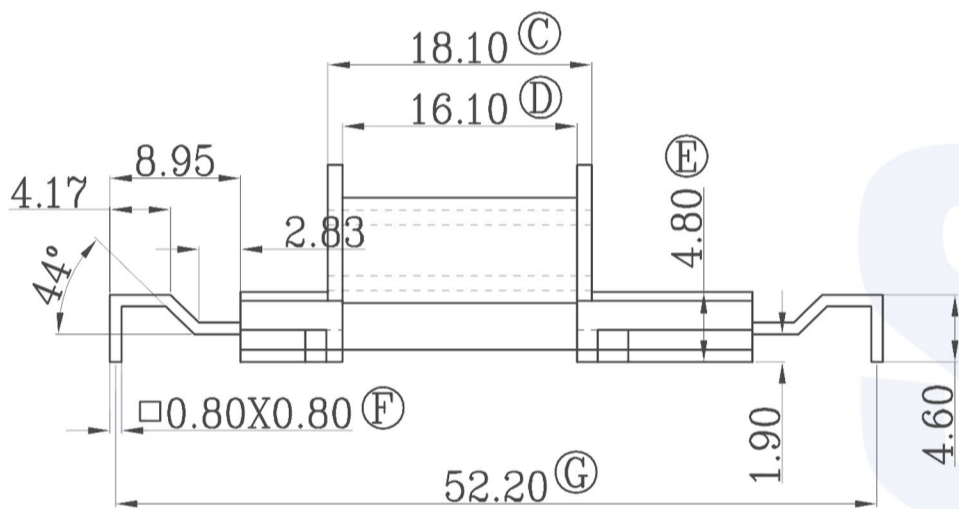
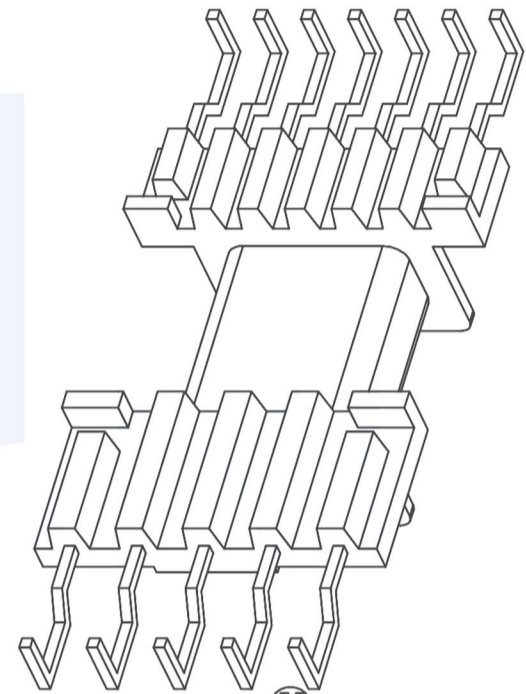
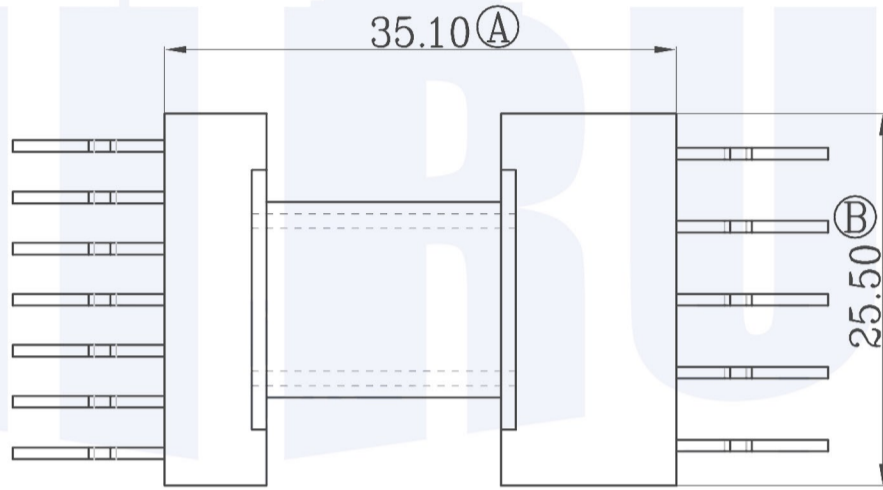


SHIRUI

P/N
SR-SMD EFD 2506



Hefei Shirui Electronic Technology Co.,Ltd

www.shiruitech.com

TEL:(0086)55165232650

sales@shiruitech.com

SR NO.

SR-SMD EFD 2506

MATERIAL:

PHENOLIC

UNIT: mm

TOLERANCE

0 < L ≤ 4 ±0.10

4 < L ≤ 16 ±0.20

16 < L ≤ 64 ±0.30

PIN PITCH ±0.05

DRN.

WILL H

MODEL NAME:

SMDEFD25-14P-1S H

UL REC: UL 94V-0

ANGLE: ± °



SCALE 1:1

CHD.

IRINA LEE

ISSD.

JAMES HU